

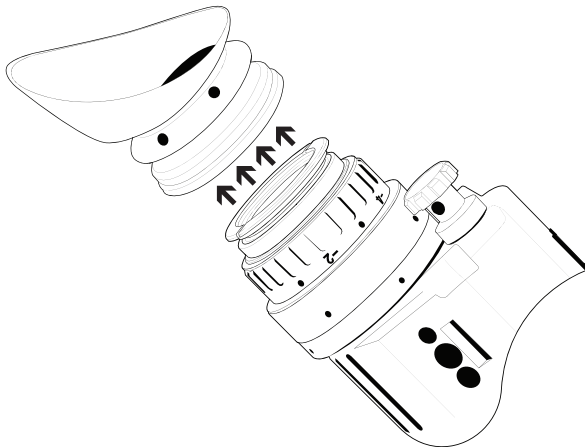
IPHONE NIGHT VISION CAMERA ADAPTOR

Fits: PVS-7 | PVS-14 | LRM-14 | LRB-7

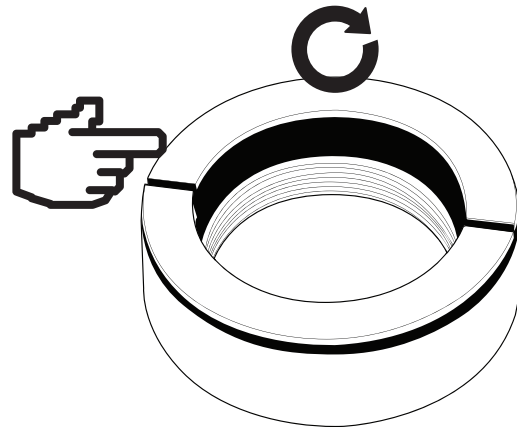
Instructions

 Thread on/off

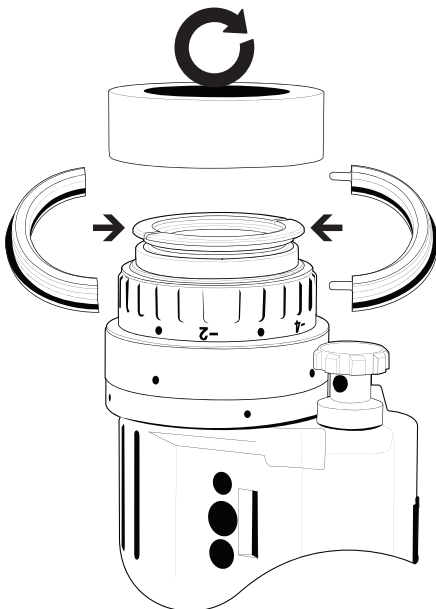
- 1** Carefully remove rubber eyecup from the night vision device.



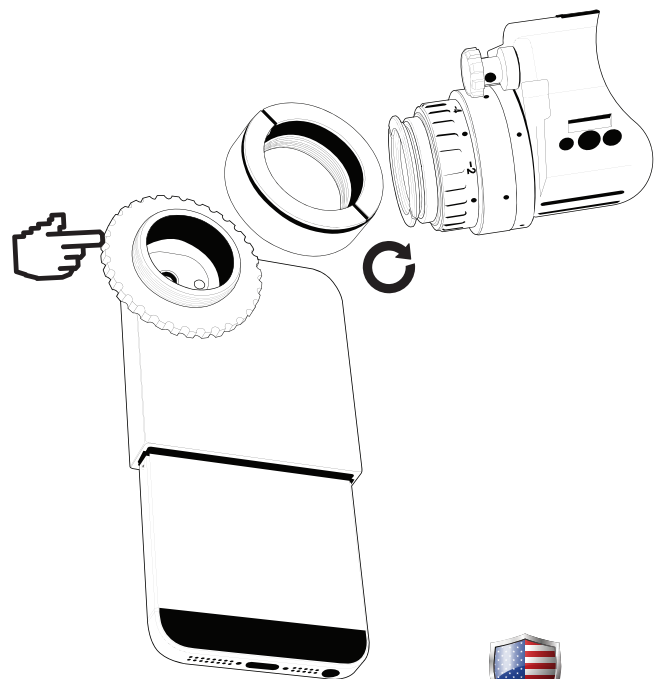
- 2** Unscrew the segmented ring from the retaining ring.



- 3** Place segmented ring around the eyepiece with threads facing up follow with the retaining ring.



- 4** Once the Night Vision adaptor is attached to the optic thread it onto iPhone Adaptor base - Use to locking ring if necessary



NIGHT OPTICS USA

SKU CAM-IP14K
Sub-components: CAM-IP | CAM-IPB14



MADE IN THE USA

www.nightoptics.com

Follow **Night Optics USA** online



twitter.com/**NightOpticsUSA**

facebook

facebook.com/**NightOptics**

You Tube

Broadcast Yourself™

youtube.com/**NightOpticsUSA**



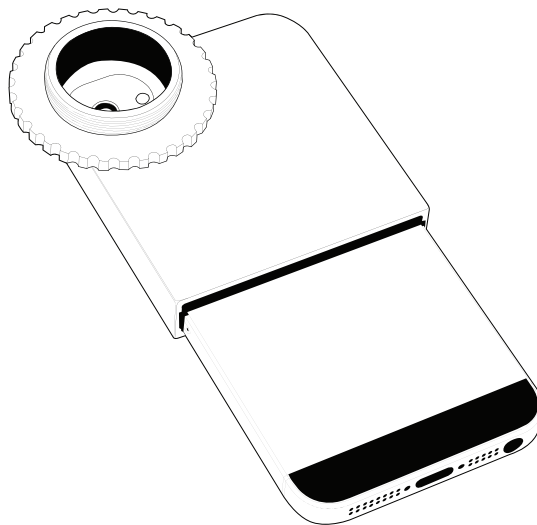
NIGHT OPTICS USA, INC

15182 Triton Lane, Suite 101 | Huntington Beach, CA 92649

Ph: (714) 899-4475 | Fax: (714) 899-4485

sales@nightoptics.com | info@nightoptics.com

IPHONE NIGHT VISION CAMERA ADAPTOR



NIGHT OPTICS USA

MADE IN THE USA

